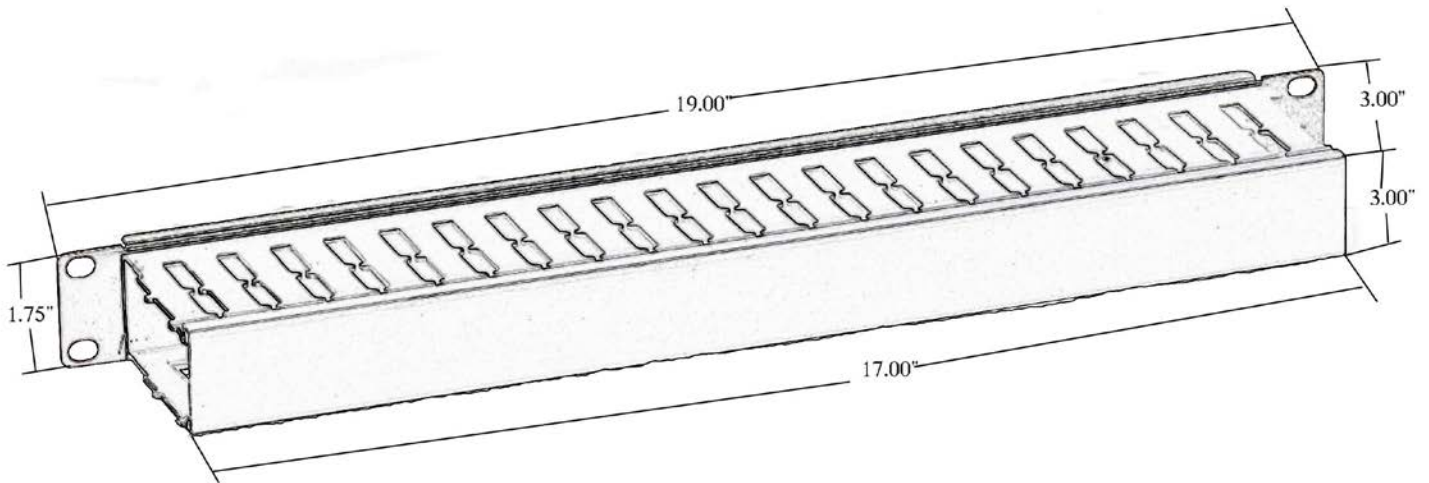


**Re: 1 RMU Panel with Slotted Duct Front****Specifications: Part No. VDM-175****(Document No.019018) 03-19-19 Rev.1**

Part Number	Description
VDM-175	1-RMU Panel with Slotted Duct on Front

Dimensions: 1.75" H x 19.00" W x 3.060" D (Duct: 1.5"x3")

Weight: 2 lbs. Approx.

**Features**

- USA Made (16 Ga. Steel)
- Durable Epoxy Power Coated Finish (Black)
- Rack Mount Panel Designed w/ 3/8 Inch Break Flange (Top and Bottom) for Superior Strength and Rigidity ,
- Slotted Duct: Black (TAA Compliant) Made with UL Compliant PVC, (UL94V-O) Flame Rated) Removable Front Duct Cap Covers.
- 19 Inch Rack Mount Spec. EIA/ECS-310-E