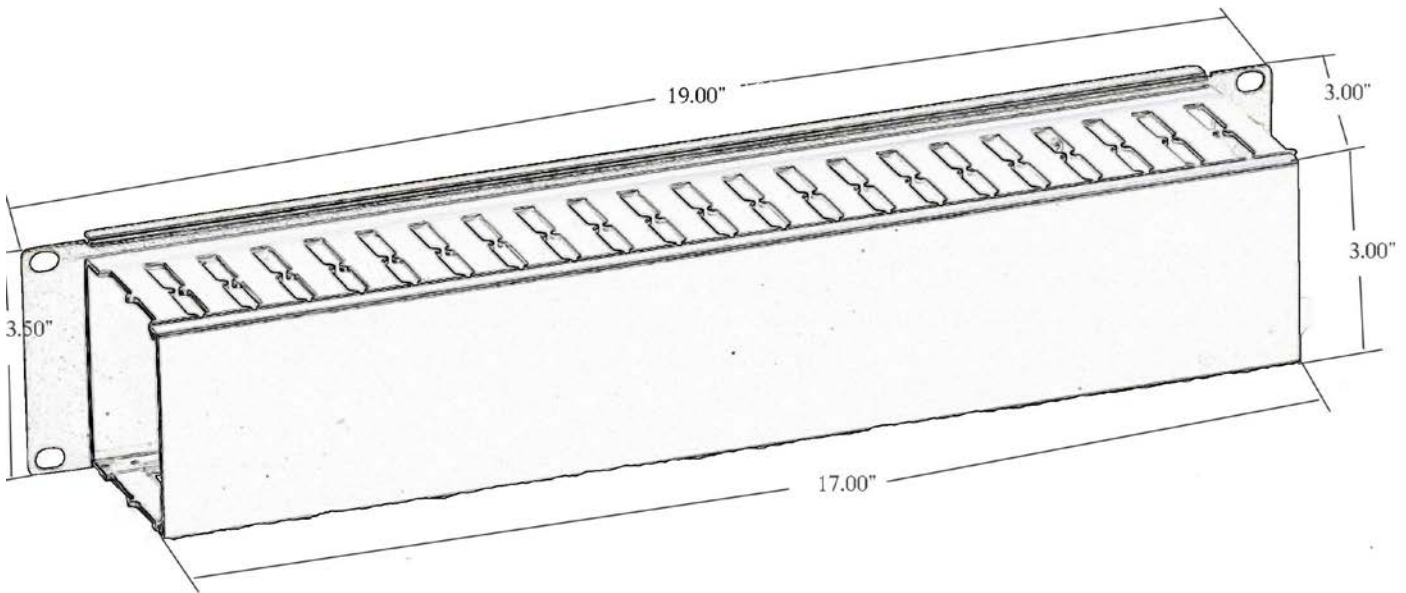


Re: 2 RMU Panel with Slotted Duct Front**Specifications: Part No. VDM-350****(Document No.019019) 03-19-19 Rev.1**

Part Number	Description
VDM-350	2-RMU Panel with Slotted Duct on Front and Rear
	Dimensions: 3.50" H x 19.00" W x 3.060" D (Duct: 3"x3")
	Weight: 2 lbs. Approx.

Features

- USA Made (16 Ga. Steel)
- Durable Epoxy Powder Coated Finish (Black)
- Rack Mount Panel Designed w 3/8 Inch Break Flange (Top and Bottom) for Superior Strength and Rigidity.
- Slotted Duct: Black (TAA Compliant) Made with UL Compliant PVC, (UL94V-O) Flame Rated. Removable Front Duct Cap Covers.
- 19 Inch Rack Mount Spec. EIA/ECS-310-E