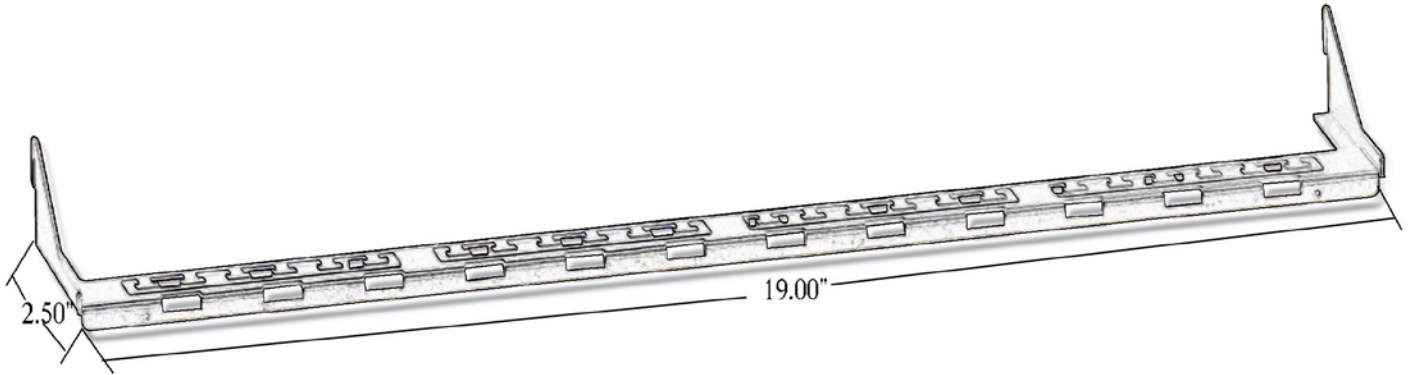


Re: DFRB-250 1 RMU Rear Cable Management Bracket**Specifications: Part No. DFRB-250****(Document No.019037) 03-12-19 Rev.1**

Part Number	Description
DFRB-250	1-RMU Rear Cable Management Bracket Dimensions: 1.25" H x 19.00" W x 2.50" D Weight: 1 lbs. Approx.

Features

- USA Made (16 Ga. Steel)
- Durable Epoxy Powder Coated Finish (Black)
- Unique "Snap in", "Lock in" Design
- Cable Ties (Black) Included.
- Innovative Design for Securing and Dressing Category Rear Entry Cables for Dense-Fit and Dense Fit Angled Keystone Type Modular Patch Panels
- Provides 12 ea. Slots (Horizontal) for 1/2 Inch Velcro Cable Securing Cable Ties.