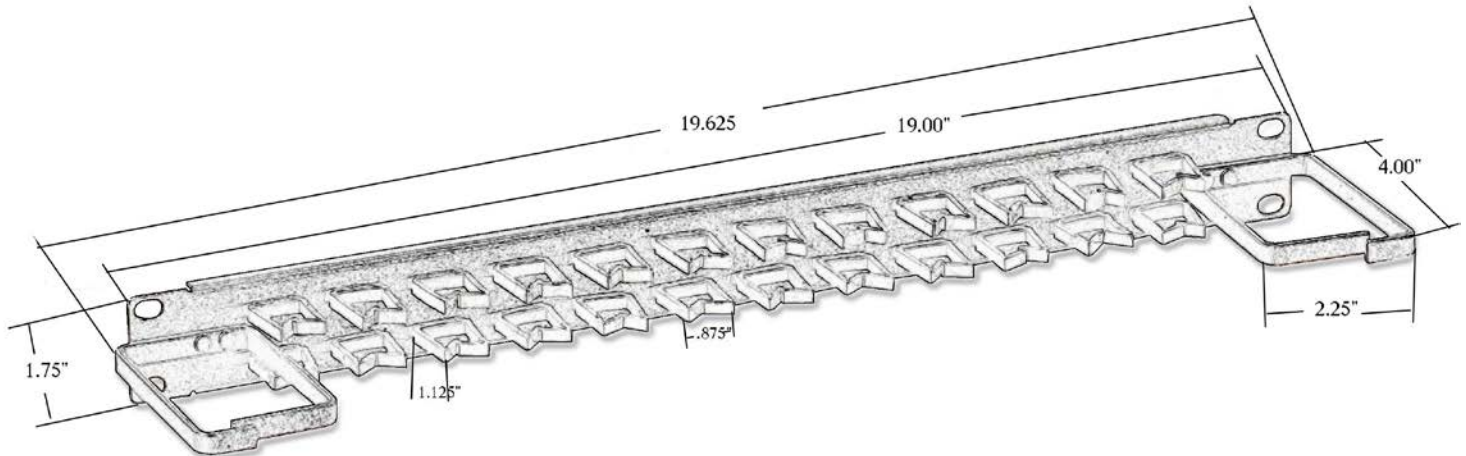


Re: VCM-175 Cable Management Panel with Vertical "G" Distribution Rings & Patch Cable/Cord Alignment Guides

Specifications: Part No. VCM-175

(Document No.019010) 03-21-19 Rev.1



Part Number	Description
VCM-175	1-RMU Panel w 2 Vertical "G" Distribution Rings & 24 Patch Cord Guides Patch Cord Alignment Guides: 0.875 W x 1.125 H "G" Ring Dimensions: 2.25" WH x 4.00" D Weight: 3 lbs. Approx.

Features

- USA Made (16 Ga. Steel)
- Durable Epoxy Powder Coated (Black)
- Rack Mount Panel Designed w 3/8 Inch Break Flange (Top and Bottom) for Superior Strength and Rigidity.
- 19 Inch. Rack Mount Spec. EIA/ECS-310--E
- Unique "G" Rings Designed for Vertical Rack and Cabinet Cable Management Requirements.
- Patch Cord Alignment Guides 24ea. (Black) Nylon Thermo Plastic designed for Category Patch Cable Alignment and Dressing. Refer to Drawing and Part No. Description for Dimensions (Inch)