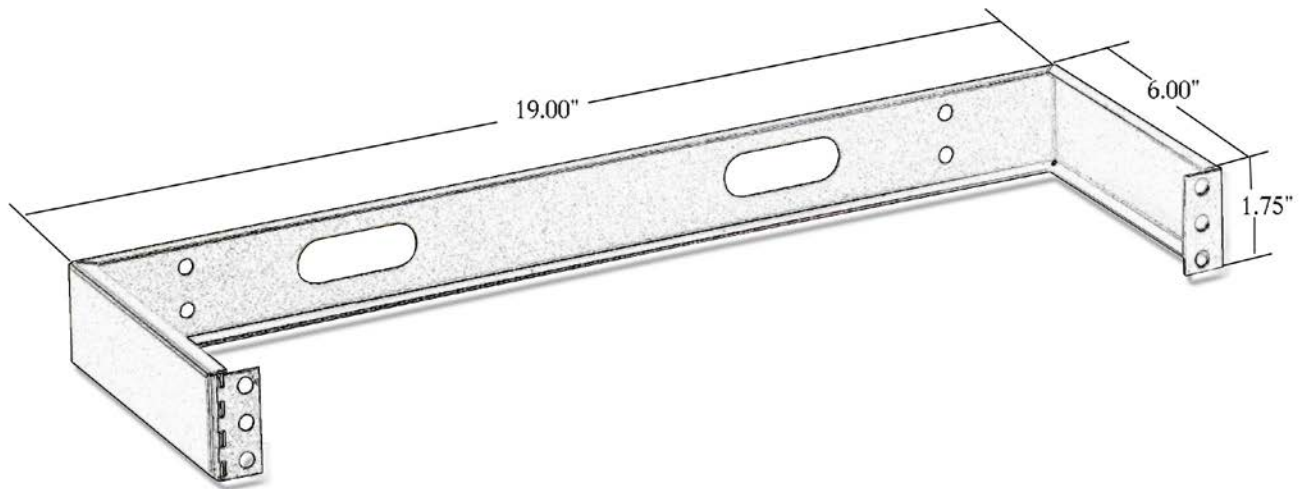


Re: HB-175 1 RMU Hinged Wall Bracket**Specifications: Part No. HB-175****(Document No.019032) 3-12-19 Rev.1**

Part Number	Description
HB-175	1-RMU Hinged Wall Mount Bracket Dimensions: 1.75" H x 19.00" W x 6.00" D Weight: 1 lbs. Approx.

Features

- USA Made (16 Ga. Steel)
- Durable Epoxy Powder Coated Finish (Black)
- Bracket Designed with Rear Oval Cable Access
- Bracket designed with 3/8 Inch Break Flange (Top, Rear and Sides) for superior strength and rigidity
- Left Side Continuous Hinge
- 19 Inch Rack Mount Spec. EIA-310-D
- Supplied with 4ea. 10-32 Cage Nuts
- Bracket Wall Mount Holes 4ea. 16 Inch Centers