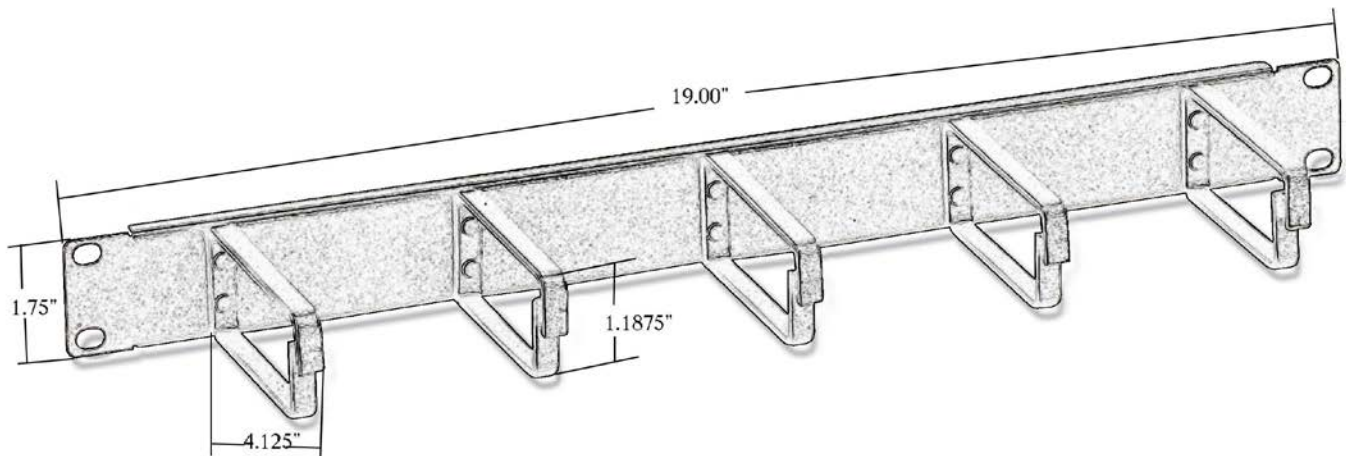


**Re: VCM-175-A Cable Management Panel with "G" Distribution Rings****Specifications: Part NO. VCM-175-A****(Document No.019014) 03-19-19 Rev.1**

Part Number	Description
VCM-175-A	1-RMU Panel w 5 Horizontal "G" Distribution Rings

"G" Ring Dimensions: 1.70" H x 4.00" D  
Weight: 3 lbs. Approx.

**Features**

- USA Made (16 Ga. Steel)
- Durable Epoxy Powder Coated (Black)
- Rack Mount Panel Designed w/ 3/8/ Inch Break Flange (Top and Bottom) for Superior Strength and Rigidity
- 19 Inch. Rack Mount Spec. EIA/ECS-310--E
- Unique "G" Ring Designed for easy access and dressing of Category Patch Cords.