

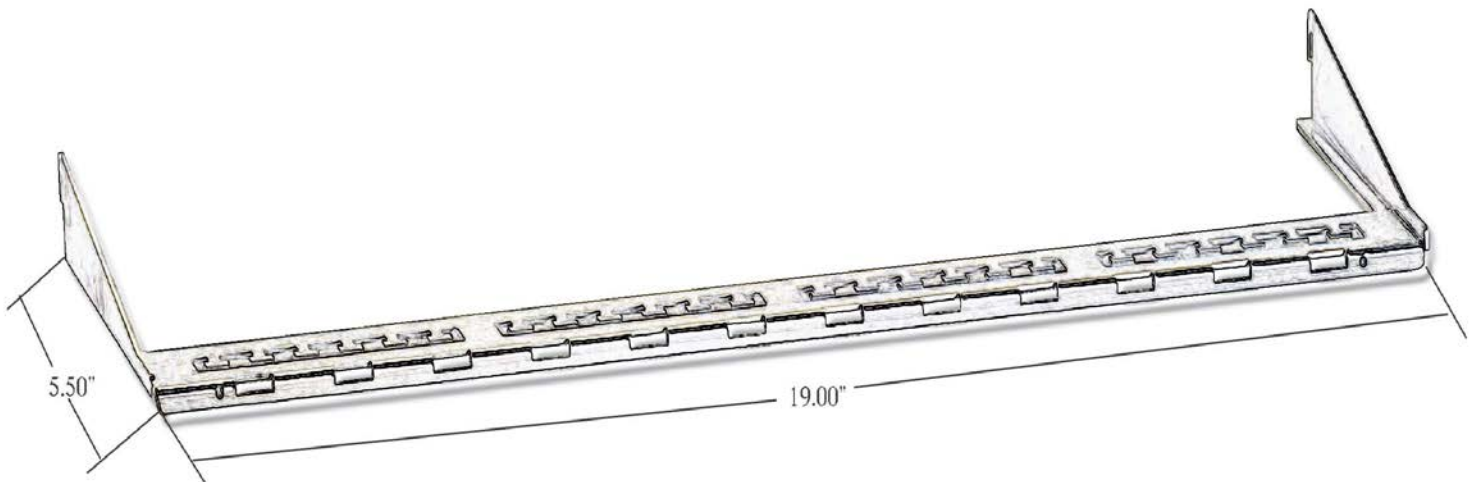


Advanced Connectivity Support Products

Re: DFRB-550 1 RMU Rear Cable Management Bracket

Specifications: Part No. DFRB-550

(Document No.019038) 03-12-19 Rev.1



Part Number	Description
DFRB-550	1-RMU Rear Cable Management Bracket Dimensions: 1.25" H x 19.00" W x 5.50" D Weight: 1 lbs. Approx.

Features

- USA Made (16 Ga. Steel)
- Unique "Snap in", "Lock in" Design
- Innovative Design for Securing and Dressing Category Rear Entry Cables for Dense-Fit and Dense Fit Angled Keystone Type Modular Patch Panels
- Zinc Chromate Plated (RoHS Compliant), for Superior Grounding and Shielding Requirements.
- Cable Ties (Black) Included.
- Provides 12ea. Slots (Horizontal) for ½ Inch Velcro Cable Securing Cable Ties.