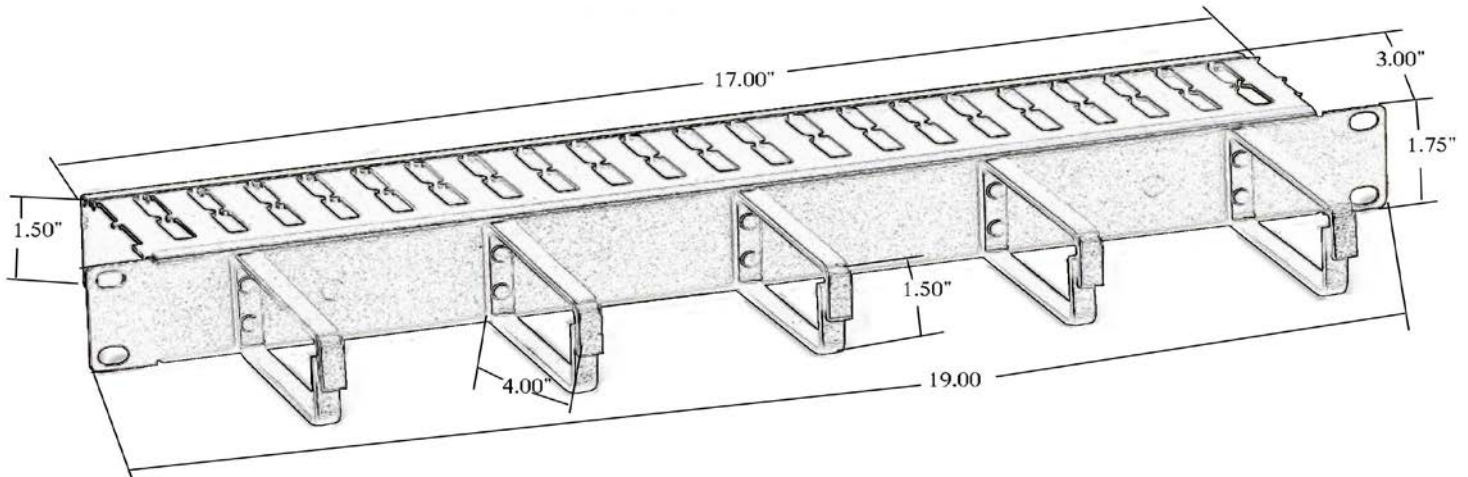


Re: VCM-175-AD Cable Management Panel with "G" Distribution Rings (Front) & Slotted Duct (Rear)**Specifications: Part NO. VCM-175-AD****(Document No.019016) 03-19-19 Rev.1**

Part Number	Description
VCM-175-AD	1-RMU Panel w 5 Horizontal "G" Distribution Rings & Duct on Rear Duct Dimensions: 1.50" H x 3.00" D "G" Ring Dimensions: 1.50" H x 4.00" D Weight: 3 lbs. Approx.

Features

- USA Made (16 Ga. Steel)
- Durable Epoxy Powder Coated (Black)
- Rack Mount Panel Designed w 3/8 Inch Break Flange (Top and Bottom) for Superior Strength and Rigidity.
- 19 Inch. Rack Mount Spec. EIA/ECS-310--E
- Unique "G" Rings Designed for easy access and dressing of Category Patch Cords.
- Slotted Duct: Black (TAA Compliant) Made with UL Compliant PVC, (UL94V-O) Flame Rated.
Removable Rear Duct Cap cover.