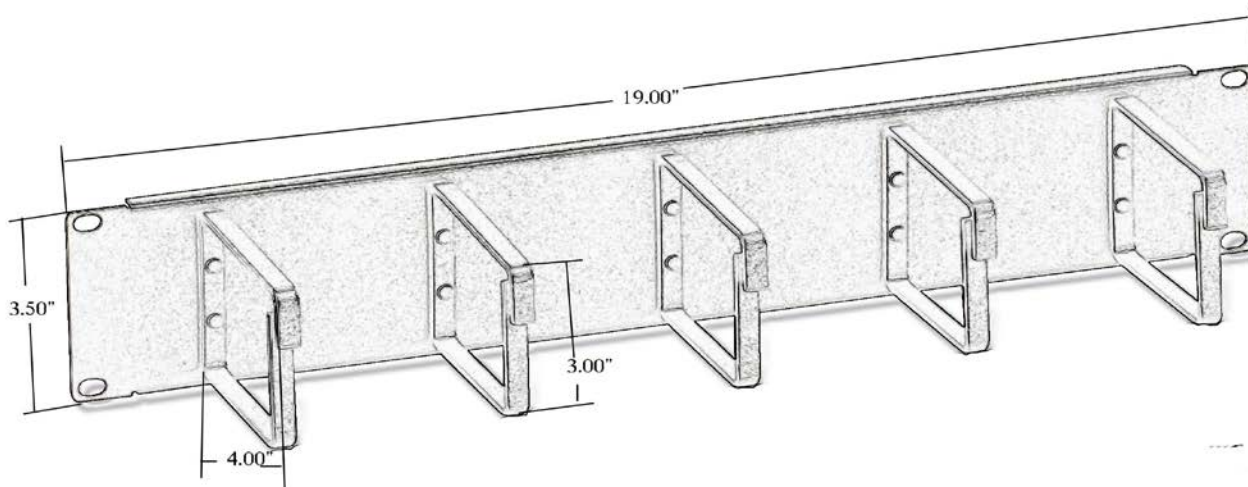


Re: VCM-350-A Cable Management Panel with "G" Distribution Ring**Specifications: Part NO. VCM-350-A****(Document No.019015) 03-19-19 Rev.1**

Part Number	Description
VCM-350-A	2-RMU Panel w 5 Horizontal "G" Distribution Rings

"G" Ring Dimensions: 3.00" H x 4.00" D
Weight: 3 lbs. Approx.

Features

- USA Made (16 Ga. Steel)
- Durable Epoxy Powder Coated (Black)
- Rack Mount Panel Designed w/3/8 Inch Break Flange (Top and Bottom) for Superior Strength and Rigidity
- 19 Inch. Rack Mount Spec. EIA/ECS-310--E
- Unique "G" Ring Designed for easy access and dressing of Category Patch Cords.