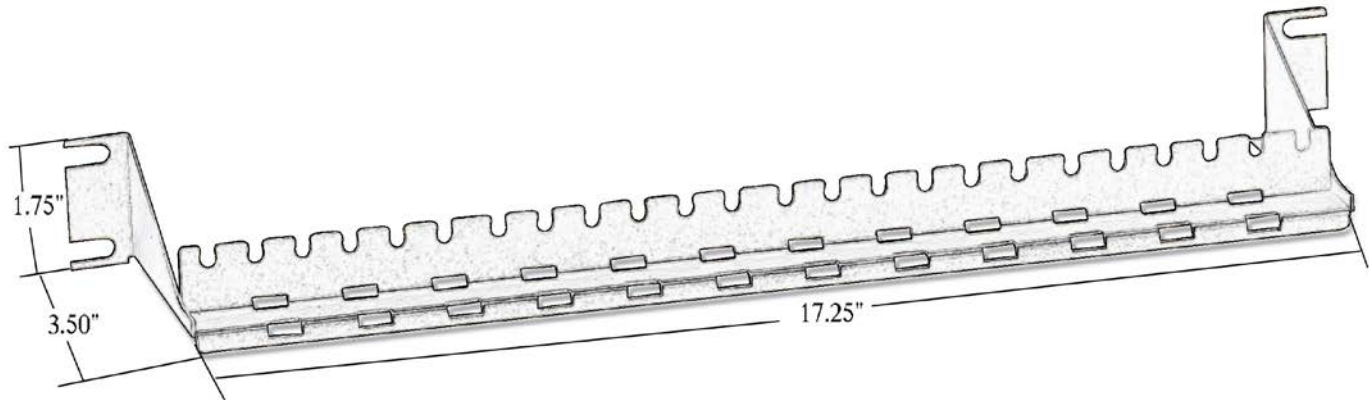


Re: DFFB-350 1 RMU Front Cable Management Bracket**Specifications: Part NO. DFFB-350****(Document No.019039) 03-12-19 Rev.1**

Part Number	Description
DFFB-350	1-RMU Rear Cable Management Bracket Dimensions: 1.75" H x 19.00" W x 3.50" D Weight: 1 lbs. Approx.

Features

- USA Made (16 Ga. Steel)
- Unique Design for Front Mounting over Installed Patch Panels.
- Innovative "U" Cup design 24 ea. (Horizontal) Designed for Securing, Dressing and providing alignment of Category Patch Cables (Front)
- Durable Epoxy Powder Coated Finish (Black)
- 19 Inch Rack Mount Spec. EIA/ECS-310-E
- "U" Cup design suitable for Cat5e, 6 and Cat 6A shielded and unshielded patch cords.
- 12 ea, slots (Horizontal) provided for ½ Inch Velcro Cable Ties.